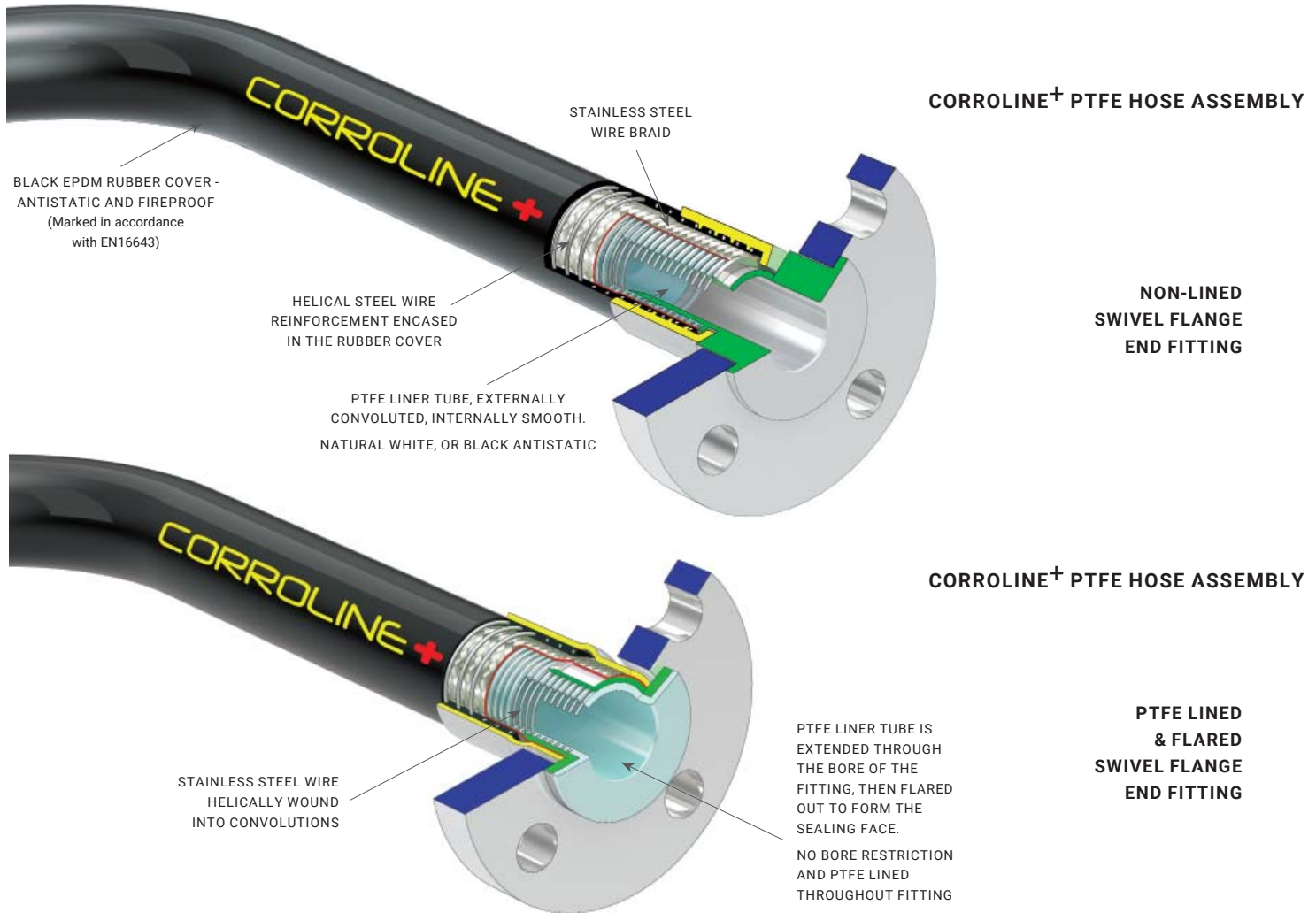


CORROLINE⁺

PTFE Hose for Chemical and Process Fluids Transfer

Very Flexible - Very Tough - Fully Kink and Crush Resistant - Smooth Bore for Fast Flow and Easy Clean



CORROLINE⁺ HOSE SPECIFICATIONS

HOSE BORE SIZE RANGE -

1/2" (13MM) UP TO 3" (80MM)

HOSE LENGTHS -

30 METRES (100 FEET) UP TO 2", 18 METRES (60 FEET) UP TO 2 1/2", 15 METRES (50 FEET) UP TO 3"

TEMPERATURE LIMITS -

FROM -40°C (-40°F) UP TO +150°C (+302°F) CONTINUOUS

WORKING PRESSURE RATINGS -

FROM 70 BAR (1000 PSI) FOR 1/2" BORE, TO 28 BAR (400 PSI) FOR 2" BORE

VACUUM LIMITATIONS -

VACUUM RESISTANT TO -0.9BAR FOR ALL SIZES

END FITTINGS - Non-Lined, or PTFE Lined and Flared design for:

ANSI 150, DIN AND JIS SWIVEL FLANGE FITTINGS, CAM & GROOVE FITTINGS AND DIP PIPES

END FITTINGS - Non-Lined design for:

SANITARY TRI-CLAMP FITTINGS, BSP, NPT AND JIC THREADED FITTINGS, DIN 11851, RJT AND SMS HYGIENIC FITTINGS

ALTERNATIVE DESIGN OPTIONS (TO SPECIAL ORDER) -

IF BRAIDED ONLY, DIFFERENT COLOUR RUBBER COVERS, OR PTFE LINED AND FLARED END FITTINGS FOR THE OTHER FITTING DESIGNS ARE REQUIRED, IT MAY BE POSSIBLE TO MATCH THOSE REQUIREMENTS WITH THE BIOFLEX ULTRA PRODUCT - CONSULT AFLEX HOSE.

APPROVALS -

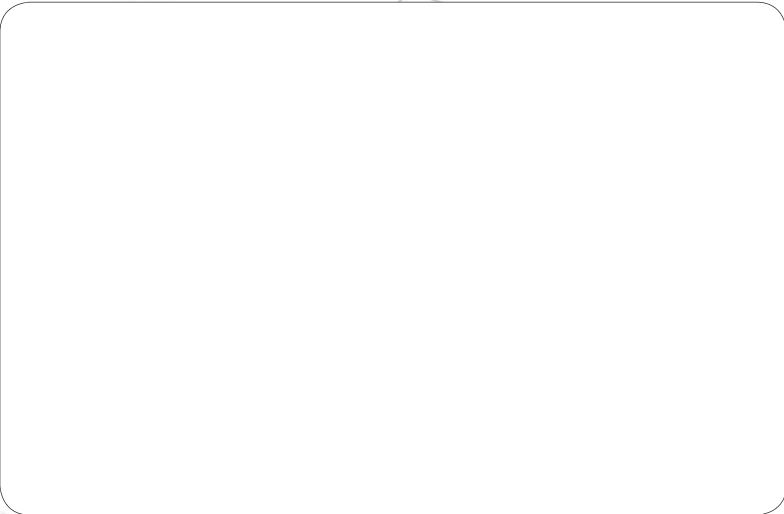
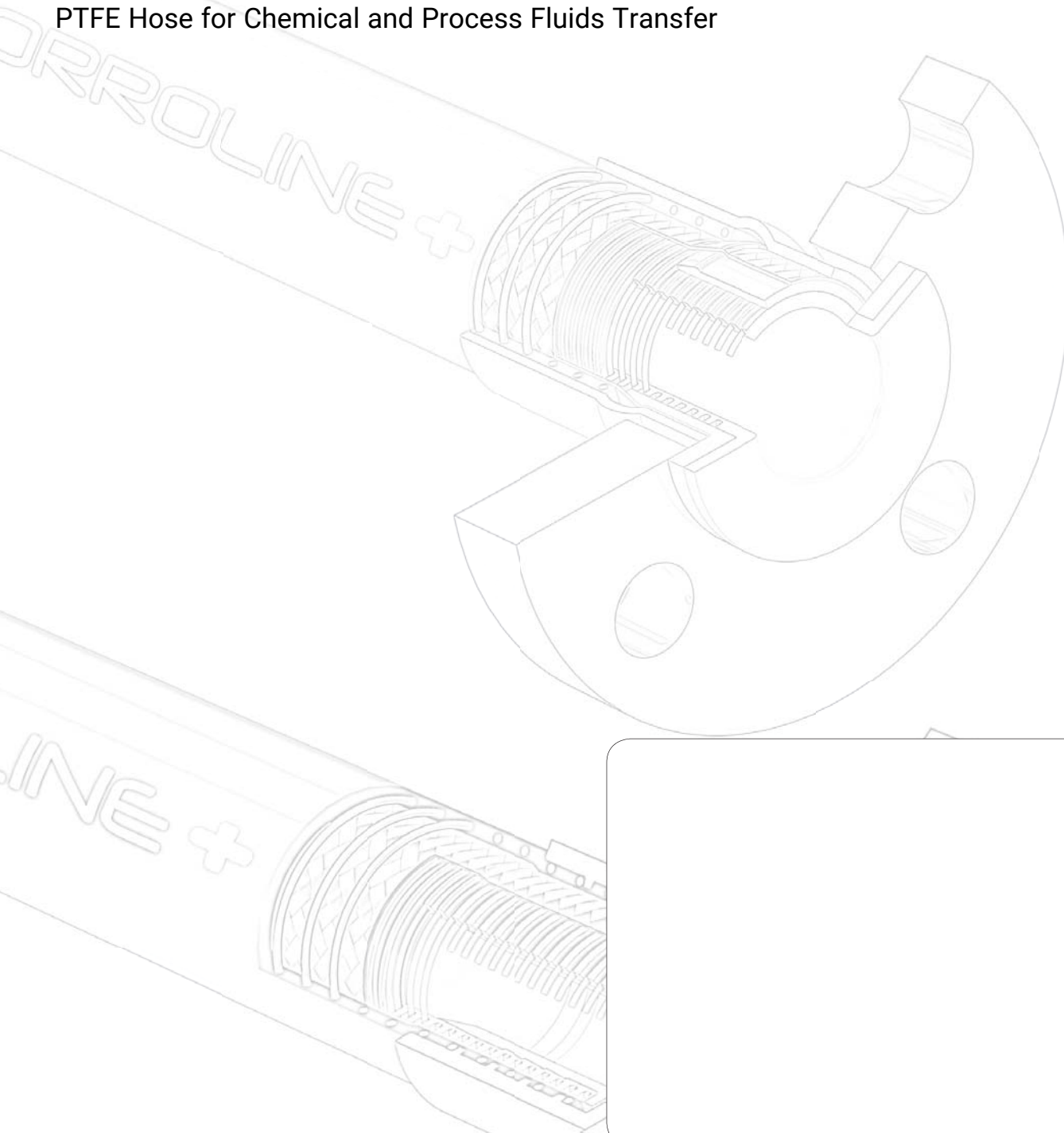
ISO 9001, EN16643, TS16949, ISO 14001, FDA (MATERIALS), USP 6, ATEX, 3.1 TRACEABILITY, FIREPROOF TO BS5173, (EU) 10/2011

FOR THE FULL CORROLINE⁺ HOSE BROCHURE PLEASE VISIT - WWW.AFLEX-HOSE.COM

UK +44 (0)1422 317200 USA 215 766 1455

CORROLINE+

PTFE Hose for Chemical and Process Fluids Transfer



USA CLN+/15.06.17 Rev 5



Aflex Hose is part of the Watson-Marlow Fluid Technology Group. A Spirax-Sarco Engineering Company

UK

Spring Bank Industrial Estate
Watson Mill Lane
Sowerby Bridge
Halifax
West Yorkshire, HX6 3BW
Tel: +44 (0) 1422 317200
Fax: +44 (0) 1422 836000

USA

32 Appletree Lane
Pipersville
Bucks County
Pa 18947
Tel: 215 - 766 - 1455
Fax: 215 - 766 - 1688



WWW.AFLEX-HOSE.COM

