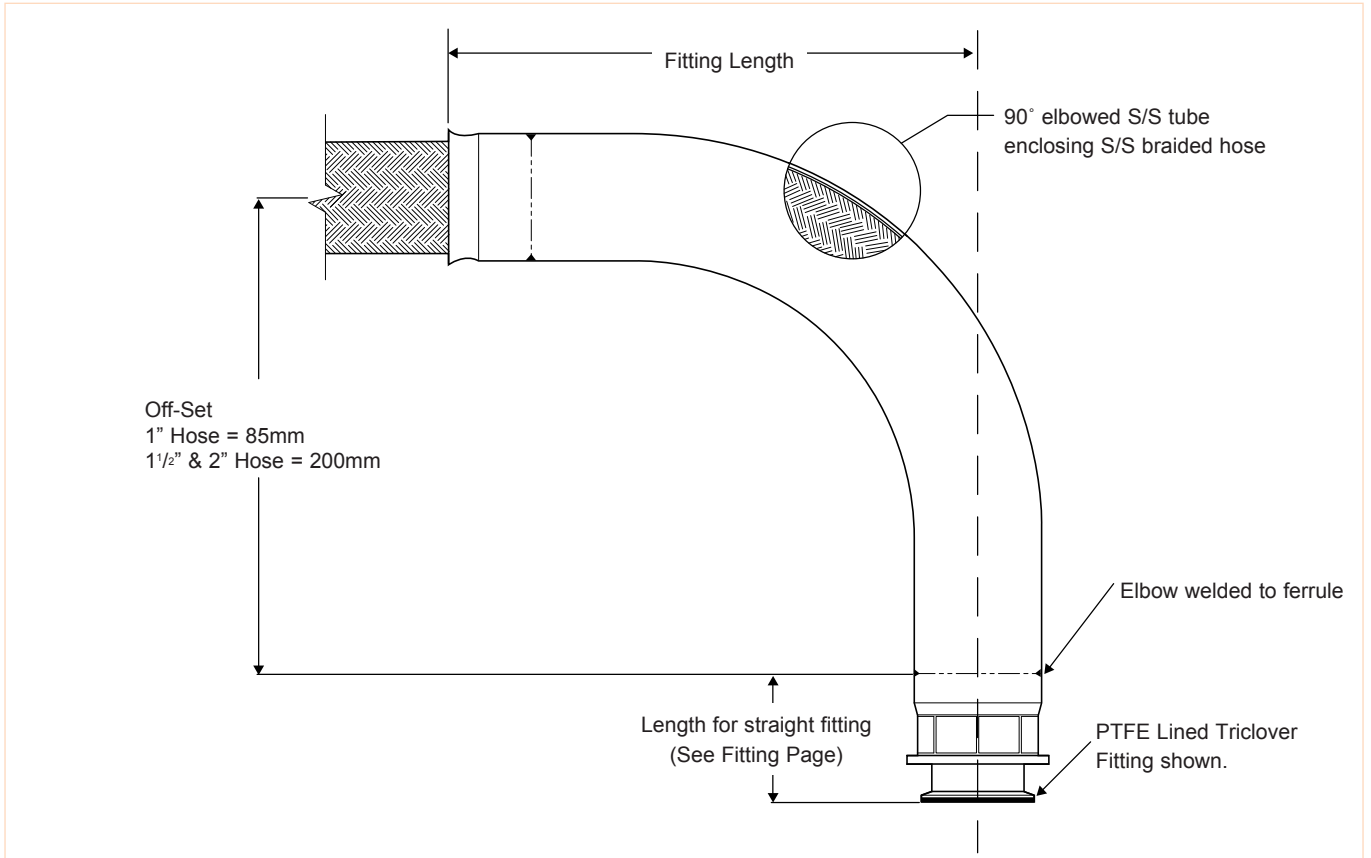


# Corroflon 90° Elbow Fittings, PTFE Lined and Non-Lined

## PTFE LINED 90° ELBOW FITTINGS

**Scope** - All of the PTFE lined end fittings described on previous pages can be fitted as 90° elbow PTFE lined fittings to the design shown, to the sizes listed.

- All grades of hose can be used, except PB and KYB.



Hose Bore Sizes	Off-Set	Fitting Length	Weight of Fitting	
			Kg	Lbs
1"	85	143	0.48	1.07
1 1/2"	200	237	1.37	3.03
2"	200	314	1.68	3.70

## NON-LINED 90° ELBOW END FITTINGS

A 90° elbow attached to the hose can be supplied non-PTFE lined, as shown, for any size or grade of hose or type of fittings, to special order.

