

Corroflon Female Cam & Groove Fittings PTFE Lined (Fixed) and Non-Lined (Swivel), Locking Arms

End Fitting Specification

- Generally in accordance with A-A-59326 (replaces MIL-C-27487) and EN14420-1 (replaces DIN 2828), and all are fully interchangeable.

Temperature and Pressure Ratings

- When used with a Buna N Gasket all sizes up to 16 Bar (230 psi) and up to a maximum temperature of 65°C (149°F).
- When used with FEP, Fluoro Rubber or other encapsulated gaskets all sizes up to 10 Bar (145 psi) and up to a maximum temperature of 204°C (400°F).

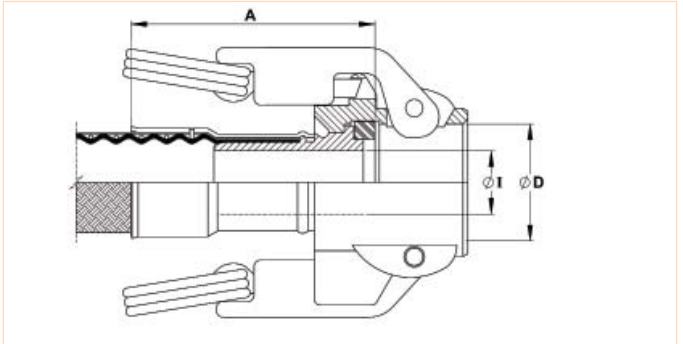
End Fitting Materials

- Spigot in Grade 316L SS
- Body in Grade 316C SS
- Ferrules, most in Grade 304 SS, some sizes in Grade 316L SS
- Standard Gasket is Buna N (Nitrile) Rubber.
- FEP encapsulated Silicone Rubber Gaskets also available.

90° Elbow Cam & Groove Fittings (LINED ONLY)

- 90° Elbow Integral PTFE lined Cam & Groove Fittings are available for sizes 1", 1 1/2" and 2" - see page 29.

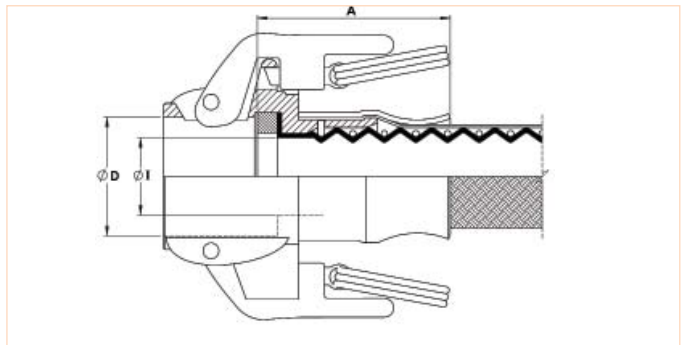
Swivelling, Locking Arm Female Cam and Groove Fittings - Non Lined



Nominal Hose Size		*Fitting Length A		Cam Sleeve Inside Diameter D		Fitting Inside Diameter I		Weight of Fitting	
in	mm	in	mm	in	mm	in	mm	Kg	Lbs
3/4	19.1	3.11	79	1.26	32	0.63	15.9	0.40	0.88
1	25.4	3.07	78	1.46	37	0.75	19.1	0.51	1.12
1 1/2	38.1	4.13	105	2.13	54	1.25	31.8	0.88	1.94
2	50.8	4.25	108	2.52	64	1.75	44.5	1.15	2.53
2 1/2	63.5	4.49	114	3.03	77	2.25	57.2	1.41	3.10
3	76.2	4.61	117	3.62	92	2.63	66.7	1.89	4.17

*Fitting Lengths listed are for Corroflon braided only hose grades (SS, PB, HB, KYB). Approximately 33% longer lengths apply to the rubber covered hose grades (RC, SI, FP).

Fixed, Locking Arm Female Cam and Groove Fitting - Integral PTFE Lined



Nominal Hose Size		*Fitting Length A		Cam Sleeve Inside Diameter D		Fitting Inside Diameter I		Weight of Fitting	
in	mm	in	mm	in	mm	in	mm	Kg	Lbs
3/4	19.1	2.48	63	1.26	32	0.70	17.8	0.39	0.86
1	25.4	2.40	61	1.46	37	0.95	24.1	0.50	1.10
1 1/2	38.1	2.56	65	2.13	54	1.44	36.7	0.86	1.89
2	50.8	2.56	65	2.52	64	1.94	49.3	1.10	2.42

Notes: For Integral PTFE Lined Fittings Only

FEP Gaskets require higher clamping forces to flatten the Seal and make the joint. This is made easier by "pre-setting" these gaskets by clamping Polypropylene Cam Male Inserts to the assembled fittings, which must then be kept in place during storage, until use.

Any Customer's Own "Special" Gaskets must be pre-supplied to Aflex for special assembly and testing of hose assemblies, to ensure suitability.

*Fitting Lengths listed are for Corroflon braided only hose grades (SS, PB, HB, KYB). Approximately 33% longer lengths apply to the rubber covered hose grades (RC, SI, FP).