

Corroflon Integral PTFE Lined Flange Fittings & "Step-Up" Design

Flange Specification

- ANSI B16.5 (also ASME B16.5) Class 150# and 300#
- *DIN PN10/16/40 up to 2" size, PN10/16 from 2 1/2" up to 6" size
- JIS 10K
- Other Pressure Ratings and Flange Specifications are also available

*The dimensions for flanges to the different pressure ratings are identified, so they are inter-changeable.

Maximum Pressure Ratings for Flange Fittings

- ANSI 150# = 16 Bar (230 psi), ANSI 300# = 32 Bar (460 psi)
- DIN PN10 = 10 Bar (145 psi)
- DIN PN16 = 16 Bar (230 psi), DIN PN40 = 40 Bar (580psi)

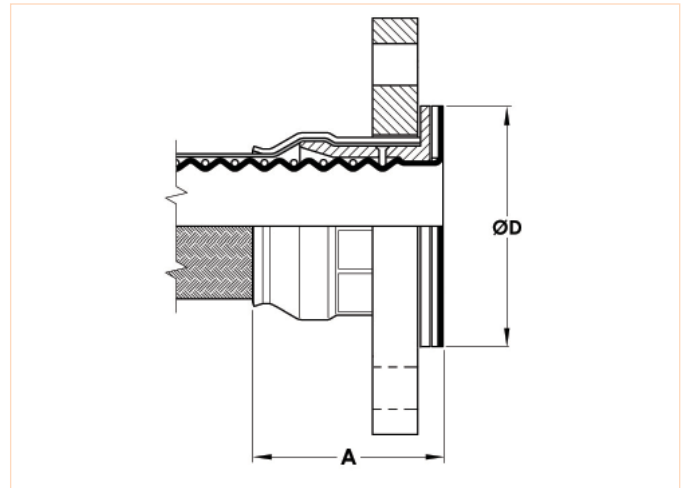
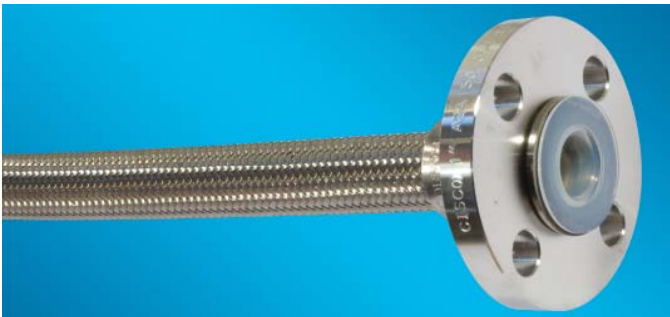
End Fitting Materials

- Flanges in Grade 304 SS
 - Flange Retainers in Grade 316L SS
 - Ferrules, most in Grade 304 SS, some sizes in Grade 316L SS
- Alternative options for Flange component only:
- Zinc Plated Carbon Steel
 - Grade 316 Stainless Steel

90° Elbow Flange Fittings (see page 29)

90° Elbow Integral PTFE lined Flange Fittings are available for 1", 1 1/2" & 2".

Integral PTFE Lined Swivel Flange Fittings



Nominal Size I - Flange & Hose		*Fitting Length ASA A		*Fitting Length PN A		Flared Diameter D		Recommended Bolt Tightening Torques		Weight of Fitting	
in	mm	in	mm	in	mm	ASA150 mm	PN10/16 mm	ft.lbs	Nm	kg	Lbs
1/2	15	2.09	53	2.09	53	32.0	32.0	8	10.79	0.54	1.19
3/4	20	2.28	58	2.34	59.5	43.0	50.0	8	10.79	0.88	1.94
1	25	2.28	58	2.36	60	50.8	63.5	10	13.73	0.96	2.11
1 1/4	32	2.48	63	2.52	64	63.0	78.0	12	16.67	1.36	2.99
1 1/2	40	2.40	61	2.50	63.5	73.0	88.0	15	20.59	1.75	3.85
2	50	2.52	64	2.62	66.5	92.0	102.0	25	34.32	2.70	5.94
2 1/2	65	3.11	79	3.19	81	105.0	122.0	30	41.18	4.00	8.80
3	80	3.11	79	3.11	79	127.0	127.0	40	53.94	5.00	11.00
4	100	5.20	132	5.20	132	158.0	158.0	40	53.94	7.00	15.40
6	150	3.66	93	3.66	93	213.0	213.0	50	67.67	13.00	29.00

*Fitting Lengths listed are for Corroflon braided only hose grades (SS, PB, HB, KYB). Approximately 33% longer lengths apply to the rubber covered hose grades (RC, SI, FP).

*"Step-Up" PTFE Lined Flange Fitting Design for Corroflon Hose

Adapting for Different Flange Sizes

To fit larger than nominal flange sizes

It may be necessary to fit a larger than nominal flange size to the hose - for example, 3" flange fitted to one end of a 2" hose - in which case it may also be necessary to increase the diameter of the sealing face to the correct size for the larger flange. This can be achieved by means of a flange adaptor as shown.

To fit smaller than nominal flange sizes

Within limits, it is also possible to make up an assembly with a flange one size smaller than the nominal size. The smaller flange is bored and fitted to the larger hose and, if necessary, the flared diameter is reduced to suit.

Consult the supplier if a different flange size is required.

