

Corroflon Male Cam & Groove Fittings, PTFE Lined & Non-Lined and Flange Adaptors, PTFE Lined

PTFE Lined or Non-Lined Male Cam and Groove Fittings

End Fitting Specification

- Generally in accordance with A-A-59326 (replaces MIL-C-27487) and EN14420-1 (replaces DIN 2828), and all are fully interchangeable.

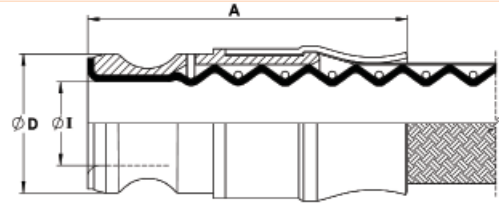
Temperature and Pressure Ratings

- Temperature and pressure determined by the type of gasket in the Female connecting component.

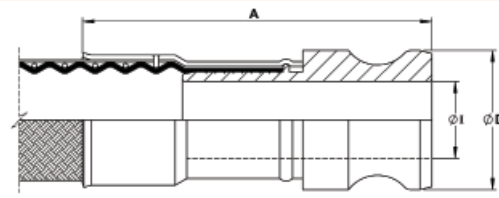
End Fitting Materials

- Fittings in Grade 316L SS
- Ferrules, most in Grade 304 SS, some sizes in Grade 316L SS
- Adaptor Flange Only in Grade 304 SS

Integral PTFE Lined Cam & Groove Male Fitting



Non-Lined Cam & Groove Male Fitting



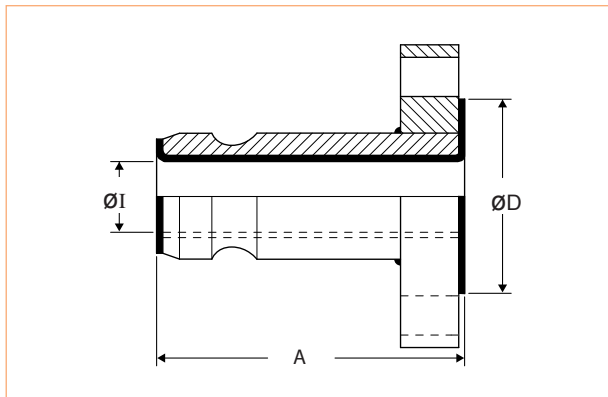
Non-Lined Cam & Groove Male



Nominal Hose Size		ØD		Fitting Length A		Non-Lined Inside Diameter I		Lined Inside Diameter B		Weight of Fitting	
in	mm	in	mm	in	mm	in	mm	in	mm	Kg	Lbs
3/4	19.1	1.26	32	3.38	86	0.63	15.88	0.70	17.78	0.40	0.88
1	25.4	1.46	37	3.66	93	0.80	20.24	0.88	22.35	0.49	1.08
1 1/2	38.1	2.13	54.0	5.00	127	1.25	31.75	1.12	28.50	0.81	1.78
2	50.8	2.52	64	5.67	144	1.75	44.45	1.77	44.96	1.05	2.31

*Fitting Lengths listed are for Corroflon braided only hose grades (SS, PB, HB, KYB). Approximately 33% longer lengths apply to the rubber covered hose grades (RC, SI, FP).

PTFE LINED MALE CAM and GROOVE X FLANGE ADAPTORS



Cam Action Adaptor Size		Flange Size & Specification	ØD		A		I		Weight of Fitting	
in	mm		in	mm	in	mm	in	mm	Kg	Lbs
1	25	1" ANSI/1507	2.00	50	4 1/8	105	0.84	21	1.246	2.75
1	25	DN25/PN16	2.58	64	4 1/8	105	0.84	21	1.538	3.39
1 1/2	40	1 1/2" ANSI/1507	2.87	73	4 3/8	118	1.35	34	2.228	4.92
1 1/2	40	DN40/PN16	3.47	88	4 3/8	118	1.35	34	2.753	6.07
2	50	2" ANSI/1507	3.63	92	4 3/8	118	1.69	43	3.359	7.40
2	50	DN50/PN16	4.02	102	4 3/8	118	1.69	43	3.714	8.19

Note: Other Flange Specifications and Pressure Ratings are also available. Non-Lined adaptors and Female Cam and Groove X Flange Adaptors are also available, to special order.