

Corroline⁺ 37° JIC Female Fittings and NPT Male & Female Unions

37° JIC Female Fitting

End Fitting Specifications

- SAE J514 37° Flare JIC Female Fitting
- 37° JIC Male-to-NPT Male/Female Adaptors
- NPT Threads to ANSI/AMSE B1.20.1

Temperature and Pressure Ratings

- Same Maximum Working Pressure and Temperature as for the relevant size of Corroline⁺ Hose, on page 6.

Note:

- Not usable with SAE 45° Flare fittings which have the same thread.
- The fitting design on this page is to the current Old Style (OS) fitting design. An alternative Direct Crimp (DC) fitting option is also available which can be assembled without stripping the rubber at the hose ends, see pg 23.



End Fitting Materials

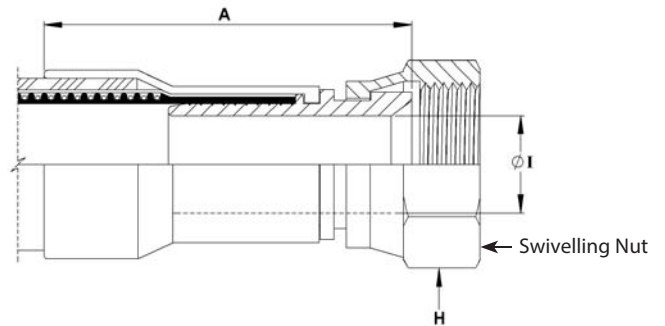
- Spigots in Grade 316L SS
- Nuts in 316L SS
- Ferrules, most in Grade 304 SS, some sizes in Grade 316L SS

Alternatives:

- Available in other materials to special order

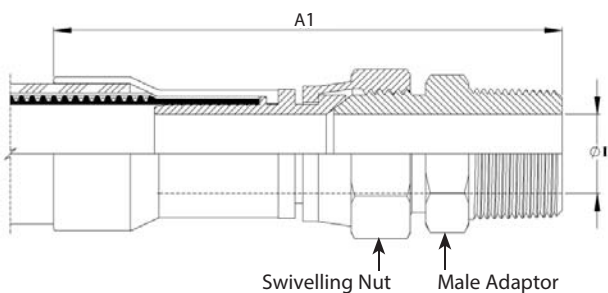
Surface Finish :

- All surface finishes are to ASME BPE-SF-O (No finish required).
- If a specified finish on a particular surface is required, please state on the enquiry and order.



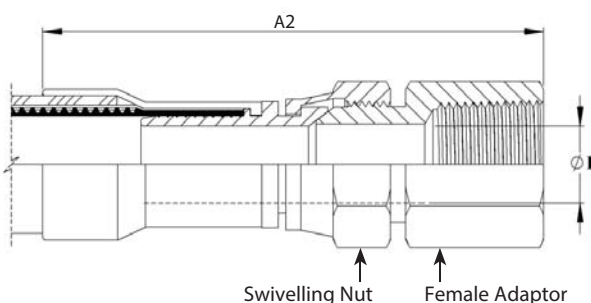
Nominal Hose Size		37° JIC Thread Size	*Fitting Length A		Hex Size H		Fitting Inner Diameter I		Weight of Fitting	
in	mm	in	in	mm	in	mm	in	mm	Kg	Lbs
1/2	13	3/4 - 16	2.76	70	0.88	22.2	0.38	9.5	0.11	0.24
3/4	20	1 1/16 - 12	3.07	78	1.25	31.7	0.63	15.9	0.15	0.34
1	25	1 5/16 - 12	3.23	82	1.50	38.1	0.80	20.2	0.23	0.52
1 1/2	40	1 7/8 - 12	4.00	102	2.25	57.1	1.25	31.7	0.72	1.58
2	50	2 1/2 - 12	4.33	110	2.88	73.0	1.75	44.4	0.99	2.18

JIC to NPT Male Union (including a JIC Male to NPT Male Adaptor)



Nominal Hose Size		*Male Union Length A1		Weight of Fitting	
in	mm	in	mm	Kg	Lbs
1/2	13	4.13	105	0.22	0.48
3/4	20	4.92	125	0.33	0.72
1	25	5.43	138	0.52	1.15

JIC to NPT Female Union (including a JIC Male to NPT Female Adaptor)



*Female Union Length A2		Fitting Inner Diameter I		Weight of Fitting	
in	mm	in	mm	Kg	Lbs
4.25	108	0.38	9.5	0.21	0.47
4.80	122	0.63	15.9	0.33	0.74
5.12	130	0.80	20.2	0.68	1.50