

Corroline⁺ Female Cam & Groove Fittings

PTFE Lined & Non-Lined

End Fitting Specifications

- Generally in accordance with A-A-59326 (replaces MIL-C-27487) and EN14420-1 (replaces DIN 2828), and all are fully interchangeable.

End Fitting Materials

- Spigot in Grade 316L SS
- Body in Grade 316C SS
- Ferrules, most in Grade 304 SS, some sizes in Grade 316L SS
- Standard Gasket is Buna N (Nitrile) Rubber.
- FEP encapsulated Silicone Rubber Gaskets also available.

Surface Finish: (Non-Lined Fittings only)

- All surface finishes are to ASME BPE-SF-O (No finish required).
- If a specified finish on a particular surface is required, please state on the enquiry and order.

Note: The fitting design on this page is to the current Old Style (OS) fitting design. An alternative Direct Crimp (DC) fitting option is also available which can be assembled without stripping the rubber at the hose ends, see pg 23.

Temperature and Pressure Ratings

- When used with a Buna N Gasket all sizes up to 16 Bar (230 psi) and up to a maximum temperature of 65°C (149°F).
- When used with FEP, Fluoro Rubber or other encapsulated gaskets all sizes up to 10 Bar (145 psi) and up to a maximum temperature of 204°C (400°F).

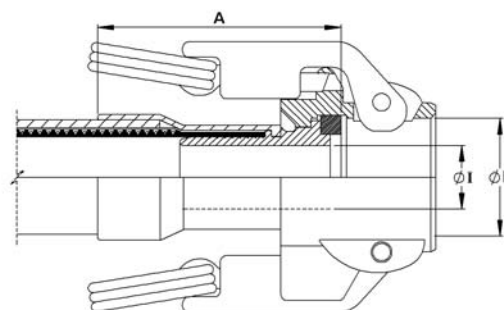
90° Elbow Cam & Groove Fittings (PTFE Lined Only)

- 90° Elbow Integral PTFE lined Cam & Groove Fittings are available for sizes 1", 1 1/2" and 2" - Consult Aflex Hose for details.

Notes for Integral PTFE Lined Fittings Only:

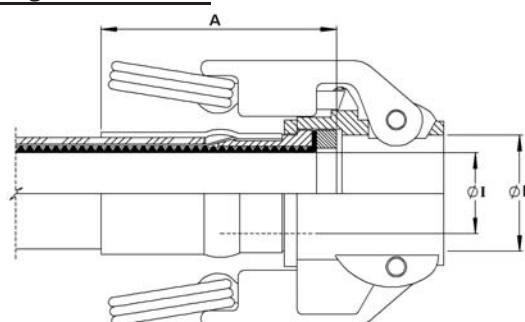
- FEP Gaskets require higher clamping forces to flatten the Seal and make the joint. This is made easier by 'pre-setting' these gaskets by clamping Polypropylene Cam Male Inserts to the assembled fittings, which must then be kept in place during storage, until use.
- Any Customer's Own 'Special' Gaskets must be pre-supplied to Aflex for special assembly and testing of hose assemblies, to ensure suitability.

Swivelling, Locking Arm Female Cam and Groove Fittings - Non-Lined



Nominal Hose Size		*Fitting Length A		Cam Sleeve Inside Diameter D		Fitting Inside Diameter I		Weight of Fitting	
in	mm	in	mm	in	mm	in	mm	Kg	Lbs
3/4	20	3.22	82.0	1.260	32	0.625	15.88	0.54	1.19
1	25	3.39	86.5	1.456	37	0.797	20.24	0.71	1.56
1 1/4	32	3.86	98.0	1.81	46	1.03	26.21	1.20	2.64
1 1/2	40	3.97	101.0	2.126	54	1.25	31.75	1.23	2.71
2	50	4.09	104.0	2.520	64	1.75	44.45	1.52	3.35

Fixed or Swivelling, Locking Arm Female Cam and Groove Fitting - Integral PTFE Lined



Nominal Hose Size		*Fitting Length A		Cam Sleeve Inside Diameter D		Fitting Inside Diameter I		Weight of Fitting	
in	mm	in	mm	in	mm	in	mm	Kg	Lbs
3/4	20	2.155	54.75	1.260	32.0	0.76	18.6	0.42	0.93
1	25	2.716	69.00	1.456	37.0	1.01	25.2	0.59	1.30
1 1/4	32	2.56	65.5	1.81	46.0	1.26	32.0	0.98	2.16
1 1/2	40	2.612	66.35	2.126	54.0	1.53	38.6	1.15	2.50
2	50	2.966	75.35	2.520	64.0	2.03	51.2	1.40	3.08