

Corroline⁺ Non-Lined Swivel Flange Fittings

CORROLINE⁺

End Fitting Specifications

- ANSI B16.5 (also ASME B16.5) Class 150# and 300#
- DIN PN10, PN16 and PN40*
- JIS 10K
- Other Pressure Ratings and Flange Specifications are also available.

*DIN PN10, PN16 and PN40 Flanges all have the same dimensions, and so are fully interchangeable

End Fitting Materials

- Flanges normally in Grade 304 SS, or Grade 316 SS if required
- Flange Retainers in Grade 316L SS
- Ferrules, most in Grade 304 SS, some sizes in Grade 316 SS

Alternative Options for Flange Component only:

- Zinc Plated Carbon Steel
- Grade 316 SS

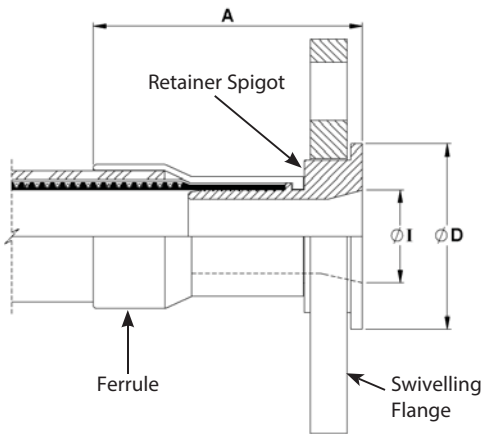
Surface Finish :

- All surface finishes are to ASME BPE-SF-O (No finish required).
- If a specified finish on a particular surface is required, please state on the enquiry and order.

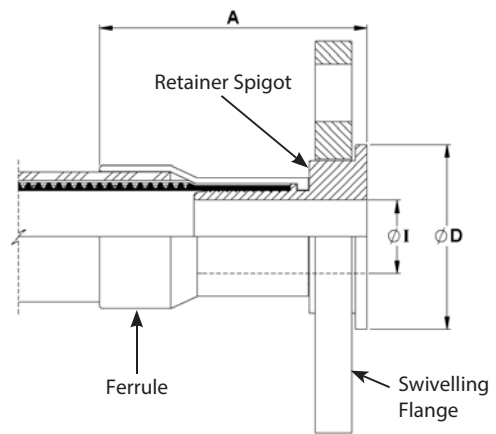
Temperature and Pressure Ratings

- ANSI 150# = 16 Bar (230 psi),
ANSI 300# = 41.4 Bar (600 psi)
- DIN PN10 = 10 Bar (145 psi),
DIN PN16 = 16 Bar (230 psi)
- DIN PN40 = 40 Bar (580 psi)

Note: The fitting design on this page is to the current Old Style (OS) fitting design. An alternative Direct Crimp (DC) fitting option is also available which can be assembled without stripping the rubber at the hose ends, see pg 23.



The above drawing relates to sizes 1", 1 1/2", 2"



The above drawing relates to all other sizes

Nominal Hose Size		Fitting Length A ASA150		Flared Diameter D ASA150		Fitting Inside Diameter I ASA150		Weight of Fitting	
in	mm	in	mm	in	mm	in	mm	Kg	Lbs
1/2	13	2.80	71	1.38	35.00	0.38	9.53	0.77	1.69
3/4	20	3.15	80	1.69	42.90	0.63	15.88	1.061	2.35
1	25	3.27	83	2.00	50.80	0.79	20.24	1.361	3.00
1 1/4	32	3.97	101	2.50	63.5	1.03	26.2	2.53	5.58
1 1/2	40	4.09	104	2.87	73.00	1.25	31.75	2.49	5.50
2	50	4.17	106	3.62	92.00	1.75	44.45	3.57	7.87

Nominal Hose Size		Fitting Length A PN10/16		Flared Diameter D PN10/16		Fitting Inside Diameter I PN10/16		Weight of Fitting	
in	mm	in	mm	in	mm	in	mm	Kg	Lbs
1/2	13	2.87	73	1.77	45.00	0.38	9.53	0.77	1.69
3/4	20	3.27	83	2.28	58.00	0.63	15.88	1.061	2.35
1	25	3.58	91	2.68	68.00	1.12	28.50	1.361	3.00
1 1/4	32	4.17	106	3.07	78.00	1.03	26.2	2.29	5.05
1 1/2	40	4.53	115	3.49	88.00	1.70	43.10	2.49	5.50
2	50	4.49	114	4.02	102.00	2.15	54.50	3.57	7.87